

# RepliTAP RT-618 1/10G Replicator

Technical Data Sheet

Microtel  
innovation

## Product Description

### Replicas for 1/10Gb/s networks

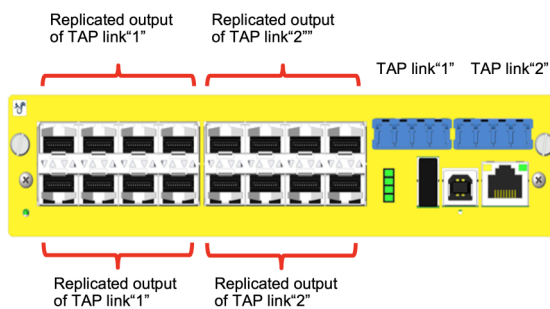
RepliTAP RT-618 is the Microtel Innovation solution for 1/10G Replicator TAPs. It may TAP up to 2 links for each Replicator module, performing 2 or 4 replicas of each tapped link. Two versions are available, 1U with 1 Replicator module and 2U with up to 4 Replicators module.

It implements **secure TAP capabilities**, meaning that the output port data transmission is disabled and an alarm is issued in case the cable to the monitoring tool is disconnected

## Key features

### • Replicator Module

- \* 16x1/10G output ports
- \* 2 optical integrated single links TAPs, to be configured as:
  - ◇ 1/10 G speed, singlemode or multimode fiber
  - ◇ 50/50, 60/40, 70/30, 80/20, 90/10 split ratios
- \* Each Replicator Module does the following replicas:
  - ◇ 1 TAP link x 2 replicas or x 4 replicas
  - ◇ 2 TAP links x 2 replicas or x 4 replicas
- \* Each link can be replicated up to 4 times, and the replicas are distributed to the out ports according to the following scheme:



- ◇ TAP link "1" is replicated to the 8 ports on the left, while TAP link "2" is replicated to the 8 ports on the right.
- \* Up to 4 Replicator module are possible in the 2U chassis.
  - ◇ Each Replicator Module is independent one from the other, so that the tapped link can be replicated only to the output ports of the module to which it belongs.
- **Aggregation and filtering capabilities**  
may be easily added by means of a software licence. In this case



RepliTAP RT-618 1U



RepliTAP RT-618 2U

## Highlights

- **Save money**  
With one only tool it is possible to send the same traffic to different probes for different analysis
- **Save space**  
Avoid multiple tapping, thanks to the high density replicas
- **Secure TAP solution**  
Protected TAP Ports (PTP) function, which automatically disable output port data transmission in case the cable to the monitoring tool is disconnected
- **High flexibility**  
Easy to be upgraded to a full-features Network Packet Broker, with filtering and aggregation capabilities, only need to buy a software licence

# RepliTAP RT-618 1/10G Replicator

Technical Data Sheet

Microtel  
innovation

## RepliTAP RT-618 – Technical Specifications

	RT-618 1U	RT-618 2U
<b>Input/Output Capabilities</b>		
<b>TAP links</b>	Up to 2 single optical TAP links, 1/10G	Up to 8 single optical TAP links, 1/10G
<b>Output ports</b>	Up to 8 x1/10G output ports, to implement up to 4 replicas	Up to 32 x1/10G output ports, to implement up to 16 replicas. For each single link up to 4 replicas maximum.
<b>Management</b>		
<b>Management</b>	Web based GUI (HTTPs), multi user access with defined privileges	
<b>Management port</b>	1x10/100 Mb/s with RJ45 connector (for all 4 modules), USB console port	
<b>Statistics and alarms</b>	Real time statistics and counters for each tapped link and for each port SNMP alarms	

## RepliTAP RT-618 – Ordering Information

<b>Main chassis (SFP/SFP+ not included)</b>	RT-618-B1 RepliTAP 618, 1U, can host 1x1/10G input/output replicator module	RT-618-B2 RepliTAP 618, 2U, can host up to 4x1/10G input/output replicator module
<b>RepliTAP 618 module, including 16 output ports and 2 (two) 1/10 Gigabit single link optical TAP, for each link max 4 replicas. Licenses and SFP/SFP+ for replicas not included.</b>	RT-618-2Tsyzz	RT-618-2Tsyzz
<b>Licence to enable 2 (two) output replicas of 1 single 1G link, required 4 x SFP/SFP+ not included</b>	RT-618-L1G2R	RT-618-L1G2R
<b>Licence to enable 2 (two) output replicas of 1 single 10G link, required 4 x SFP/SFP+ not included</b>	RT-618-L10G2R	RT-618-L10G2R
<b>Licence to enable all filtering/aggregating capabilities on all 16 ports</b>	RT-618-LFA	RT-618-LFA
<b>Redundant power supply AC or DC</b>	PS1-3/160-AC or PS1-5/160-DC	PS2-3/460-AC or PS2-5/460-DC
Options (speed): s=G=1G or s=H=10G ; option y (fiber): s=L=singlemode ( 9/125 Qm-OS1 ) or y= S=multimode (62.5/125 Qm-OM1) or y=F=multimode (50/125 Qm-OM3 ) Option zz (split ratios): zz=55=50/50 or 64=60/40 or 73=70/30 or 82=80/20 or 91=90/10		

Operating	Power	Dimensions RT-618 2U	Dimensions RT618 1U
<ul style="list-style-type: none"> <li>Operating temperature: 0°C to 40°C</li> <li>Storage temperature: -10°C to 70°C</li> <li>Operating humidity: 10% to 95% non-condensing</li> </ul>	<ul style="list-style-type: none"> <li>220-110 Vac 50-60 Hz hot swap power module</li> <li>48 Vdc hot swap power module</li> <li>Default redundancy</li> <li>Max consumption: (fully equipped) 350 W (A-620); 150 W (A-618)</li> </ul>	<ul style="list-style-type: none"> <li>Chassis 2U surface or 19" rack mount 483 mm W, 453 mm D, 88 mm H</li> <li>Weight (fully equipped) 7.5 kg (16.5 lbs)</li> </ul>	<ul style="list-style-type: none"> <li>Chassis 1U surface or 19" rack mount 483 mm W, 440 mm D, 44 mm H</li> <li>Weight: (fully equipped): 4 kg (8.8 lbs)</li> </ul>